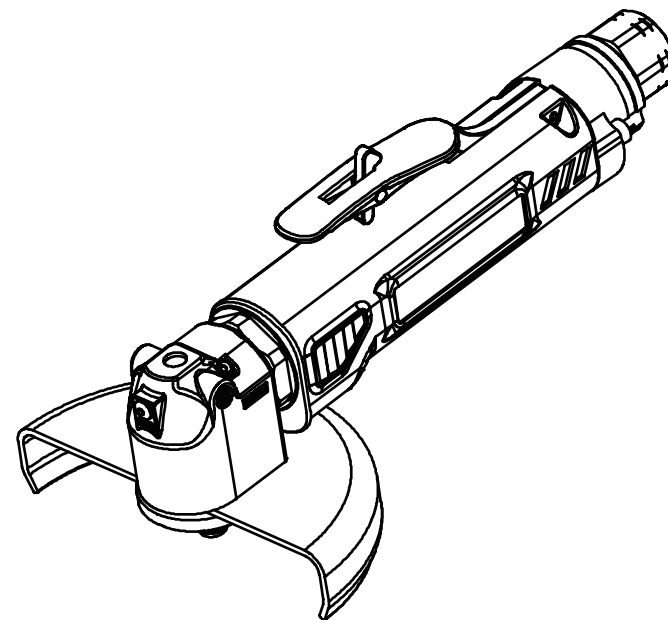


User's Manual



Air Grinder



KUANI GEAR CO. LTD

11F.-6, NO.891-43, Zhongzheng Rd.,
Xinzhuang Dist.,

New Taipei City 24257, Taiwan

Tel:+886-2-2903-3740


Fax:+886-2-2902-8865

www.kuani.com

201606R1



AIR GRINDER


 Read and understand the owner's manual and labels affixed to the tool. Learn its application and limitations as well as the specific potential hazards peculiar to this tool.

A. OPERATION GUIDES

1. TIPS FOR USE

(Safety Regulations while using KI brand Air Grinder)

1.1. AIR PRESSURE

Always use the clean and dry air to operate the tool at 90 psi (6.2 bar) & do not operate exceed maximum working air pressure at 90 psi (6.2 bar) as recommended.

1.2. AIR LINE

Use a fitting air hose for connection between the compressor & tools.

The compressed air is cooled and its water content would be sorted when the air blow out from the compressor.

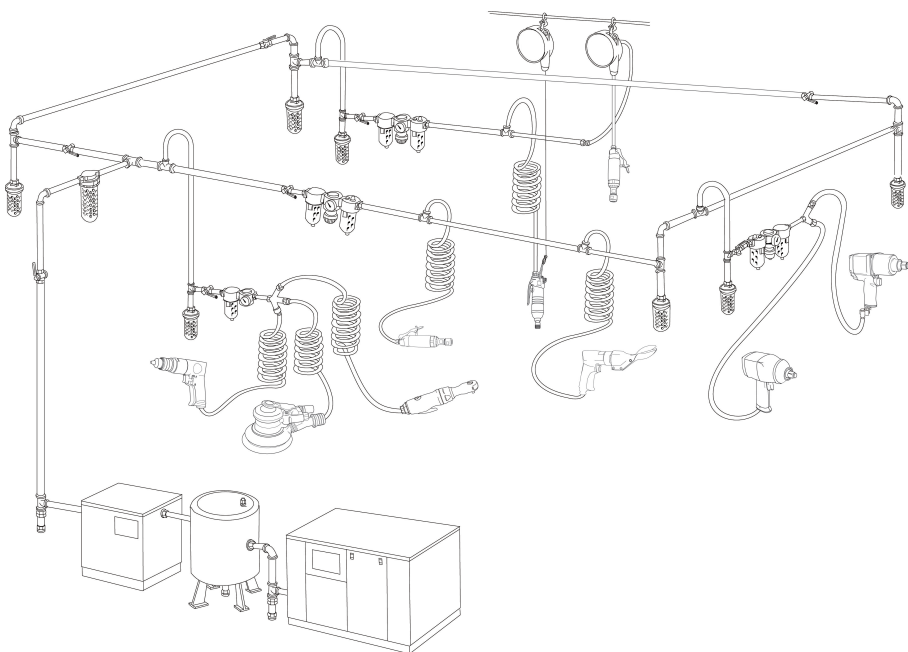
Part of the water could be compressed in the pipe and could permeate into the tool's mechanism to cause mechanical failures.

It would be strongly recommended to install an air filter, moisture separator, regulator and lubricator among the air supply and the air tools.


1.3. AIR HOSE

Before connecting the hose to air tools, please clean firstly the hoses with a blowout of compressed air.

This will prevent both moisture and dust contented within the hose from entering the tools and causing the possible rust and malfunction.



AIR GRINDER


 Read and understand the owner's manual and labels affixed to the tool. Learn its application and limitations as well as the specific potential hazards peculiar to this tool.

2. Inserter Tools

Any other use is prohibited.

In addition, use only abrasive product which are in good condition and are intended for use with power tools.

Before each use check abrasive product for condition. If worn or damaged replace immediately.



3. Personal Protecting Devices

It is necessary to wear a approved eye and hearing protector, mouth-muffle and safety gloves when operating the tools.



4. When operating the tool

Choose a fixed footing position to grip the tool sufficiently to overcome any incoming reaction forces that may occurred from the tool during operation.

Do not over grip the tool.



5. If the tool is to be used with a balancer or other suspension devise ensure that the tool is firmly attached to the suspension/support device.

6. To turn off the air supply to the tool and press the on/off valve to exhaust the air from the feed hose before installing, removing or adjusting any accessory on this tool.



7. Be aware of entanglement of the moving parts of he tool with clothing neckties, long hair, jewelry, watches and etc. This could cause the body or parts of the body to be drawn toward and in contact with the moving parts and may be very dangerous.



8. Be aware of the exhaust air does not point toward to any other person or material that could be contaminated by oil droplets.

9. This tool is not electrically insulated Never use the tool if there is any opportunity or any coming into contact with live electricity.



10. Do not lay down the tool until the working attachment has stopped moving completely.

11. The working places shall keep ventilating.

12. If any air supply break down then relieve the on-off device.



13. Use only the lubricant which recommended by the original manufacturer.

14. It is possible to attach a second handle on the tool to fix the tool to a suspension device, even if it is not delivered with tool. Please contact the sale agent for details.



AIR GRINDER



Read and understand the owner's manual and labels affixed to the tool. Learn its application and limitations as well as the specific potential hazards peculiar to this tool.

B. Operational Method

1. The on/off device is designed inside or outside of the grip. It is a "plug-and-run" type device. This tool will stop operation/rotation in a few seconds after relieving the level control. Please put the power tool in a stable position.
2. These accessories or attachments are recommended for use with your KUANI tool specified in this manual. The use of any other accessories or attachments might present a risk of injury to persons. Only use accessory or attachment for its stated purpose.
3. The speed set up device is indicated by an arrow mark and intergraded with an indication either marked by "H"(high) and "L"(low) or by "+"(high) and "-"(low) rotating the knob to desired speed.
4. Ensure safe clamping of the abrasive product to the power tool.
5. Ensure the abrasive pad RPM rating is the same as, or greater than the RPM rating of the sander.
6. Ensure that the abrasive product dimensions are compatible with the grinder and that the abrasive product fits the spindle.
7. Ensure that the thread type and size of the abrasive product exactly matches the thread type and size of the spindle.
8. Store and handle the abrasive product with care in accordance with manufacturer's instructions.
9. Inspect the abrasive product before use, warn against the use of chipped, cracked or otherwise defective products.
10. Use blotters when they are provided with the bonded abrasive product.
11. Ensure that the abrasive product is correctly mounted and tightened before use and to run the power tool at no-load speed for 30 seconds in a safe position, to stop immediately if considerable vibration or other defects are detected and to determine the cause of these defects.
12. Prevent the spindle end from touching the bottom of the hole of cups, cones or plugs with threaded holes, intended to be mounted on machine spindles, by giving dimensions and other relevant data for them.
13. Not use separate reducing bushings or adapters for abrasive products with too large holes, if they are not supplied by the manufacturers of abrasive products and when bushings are used make sure that the flange is properly clamped.
14. Ensure that the guard is in place, is in good condition and is correctly mounted and that it shall be regularly inspected.
15. Check regularly that the speed of the grinder is not higher than that marked on it. These speed checks shall be carried out without the abrasive product mounted and in accordance with the instructions given by the manufacturer.
16. Check that the flanges as specified by the manufacturer are used and are in good condition e.g. free from cracks and burrs and are plane.
17. Check that the spindle and spindle threads are not damaged or worn.
18. When cutting-off, the workpiece shall be so supported that the slot is kept at constant or increasing width during the whole operation.
19. If the abrasive product get jammed in a cut slot, shut off the grinder and ease the wheel free. Check that the wheel is still correctly secured and not damaged before continuing the operation.
20. A cutting-off wheel shall not be used for side grinding.
21. Remove flammable objects from the work area to ensure that sparks and debris do not create a hazard when using this tool
22. To work in certain materials creates emission of dust and fumes may cause potentially explosive environment.
23. The operator shall pay attention that no bystanders are in the vicinity.
24. To examine the abrasive product thoroughly before re-use, if the power tool, fitted with an abrasive product, has been dropped.



AIR GRINDER



Read and understand the owner's manual and labels affixed to the tool. Learn its application and limitations as well as the specific potential hazards peculiar to this tool.

25. Inspect regularly the spindles, threads and clamping devices in respect of wear and tolerances for location of abrasive products.
26. Tool and/or accessories may briefly continue their motion after start and stop device has been released. Please put the tool in a stable position.
27. Improper mounting or damaged insert tool may cause excessive vibration.
28. Do not use this Grinder without the furnished wheel guard.
29. Check the free speed of the tool before each job or after each service.
30. Do not use this tool if the actual free speed exceeds the rated speed.
31. Take special care when assembling the speed governor or any other protective device.
33. Do not use any abrasive products or other accessories of a maximum operating speed lower than that of the Grinder in which it is being used.
34. Ensure work pieces are secure. Use clamps or vises to hold work piece whenever possible.

C. Maintenance & Repairs

1. Lubrication
Before connecting the air hose, it should apply 4 to 5 drops of #60 spindle oil at air inlet. The repeat oiling after 3 to 4 hours operation will be necessary.
2. Fastening of parts
Do the regular check if all the connecting parts are fastened securely properly. It is necessary to go through this check daily before starting your work.
3. Cleanness
Dusty and oiling surface on the handle will infected the grip which caused to the reaction torque. Clean the handle with dry clothing is strongly recommended before operation this tool.
4. Storage
Put the tool in dry and clean environment. If the tool shall not to be used for a period of time, the residual moisture inside of the instrument could cause the rust. Before storing, oil the instrument at air inlet with spindle oil and operate it for a short period is strongly recommended.

D. Repairs

Do make use of the spare parts for all the maintenance and repairing job. Do not invent or make any unnecessary temporary repairs. Major service of maintenance and repairs should be only carried out by well-trained persons or KI of its own authorized service representatives. Make sure the free speed after each service.

E. Disposal

Following is the national legislation of waste disposal. Never dispose of the air tool into fire Separate collection. This product must not be disposed of with normal household waste.



WARNING

1. Extended exposure to vibration caused the injury.
2. The power tools shall not be operating in explosive atmospheres unless it is specially designed for this purpose.
3. Disconnecting the air hose before changing or adjusting any inserted tools.
4. Before operating the instrument. Be sure of all couplings and plugs are tightly secured.
5. Be aware of the danger of crushing by torque between a reaction bar and the working pieced.
6. Avoid any loose baggy clothing, long hair or any other personal accessories that too close to the moving part to minimum the risk of being caught, trapped or drawn down into rotating devices.

AIR GRINDER



Read and understand the owner's manual and labels affixed to the tool. Learn its application and limitations as well as the specific potential hazards peculiar to this tool.

7. Make sure to use impact-quality sockets or accessories only. When use of hand tool, the crack of hand sockets will reduce the torque of air tools and may cause the serious injury.
8. Never in contact the trigger when connecting the air supply hose.
9. Never point an air tool at oneself or any other person. It could cause a serious injury.
10. Any nexpected high pressure which exceed the maximum pressure could cause the injury to the user.
11. To keep body stance balanced and firm, it is always wear safety gloves to minimum the risk of crushing which caused by torque between handle and work piece
12. Be sure of the rotating direction before operating the instrument to minimum the hazardous situation for any unexpected rotating direction.
13. During the operating of the tool, always keep the body and particularly the hands away from the reaction bar. Keep hands away from the nut runner socket.
14. Always wear eye and face protection devices could prevent the danger to the person from high speed splinters being emitted from the tool in cause of inserted tool malfunction.
15. Always put breathing protection device could avoid any inhaling dust or handling debris during work that could be harmful to the health.
16. Always put hearing protection during operation. High sound level can cause permanent hearing loss.
17. Never operate the tool after work, it may cause the attachment of to the instrument thrown out from the tool to cause serious injury.
18. Be sure of the working environment is clear enough that to perform the work safely. Any unexpected slip, trip and fall are the major reason of serious injury. Especially be aware of excess hose left on the working or work surface. Be aware of the whipping compressed air hose.
19. Never attempt to modify the instrument for other uses.
20. The power tool is not electronically insulated for coming into contact with electric power source.
21. Keep away from the power tools out of the reach of children and do not allow persons unfamiliar with the power tool or these instructions to operate the power tool. Power tools are dangerous in the hands of untrained users.

Warranty

All of KI serial pneumatic tools are provided with complete after service and product warranty to the product that manufactured by Kuani Gear Co. Ltd and sold by its worldwide authorized dealers.

KI professional air tools, unless otherwise specified are unconditionally guaranteed against defects in materials and workmanship for the life of tool, excluding any other inappropriate operation, modification or repair.

KI will repair or replace the tool that fails to give satisfaction service on the condition that tool has not been abused or modified and that it is returned to authorized warranty KI dealer.

If there is a defective product claim of KI, please contact the KI's authorized sales/service representatives.